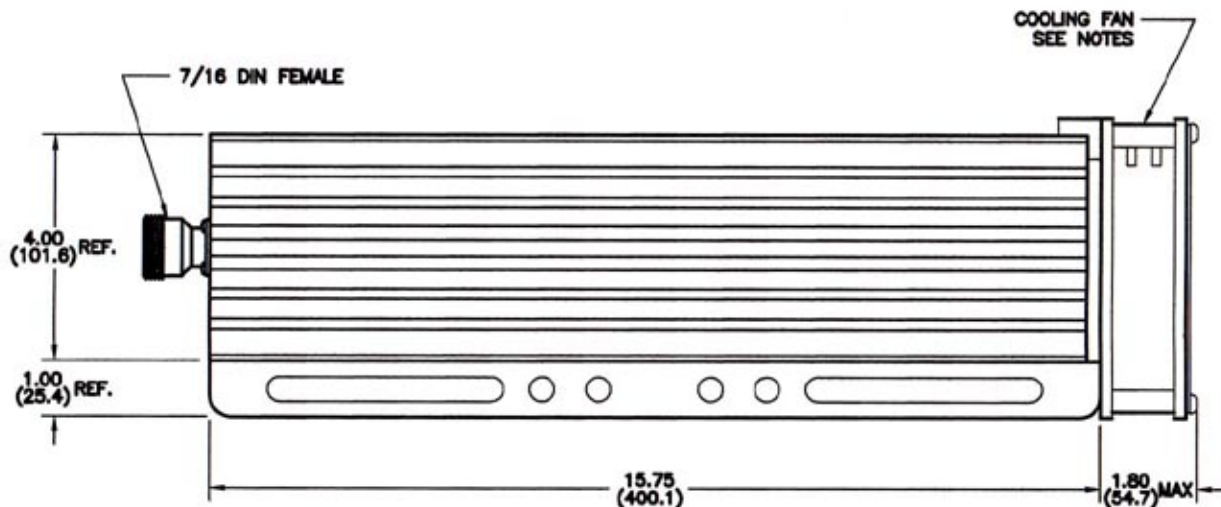
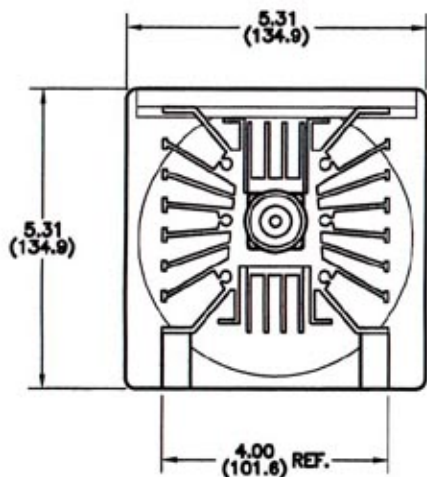


REVISIONS				
REV	ZONE	DESCRIPTION	DATE	BY ECO



SPECIFICATIONS

FREQUENCY RANGE - DC TO 3.0 GHz

IMPEDANCE - 50 OHMS

VSWR (1.0 GHz) - 1.20:1 MAX.

(2.4 GHz) - 1.30:1 MAX.

(3.0 GHz) - 1.40:1 MAX.

INPUT POWER (AVG.) - 1000 WATTS

(PEAK) - 2000 WATTS

OPERATING TEMPERATURE - -55°C TO +125°C

CONNECTOR - 7/16 DIN FEMALE

COOLING: 159 C.F.M. FORCED AIR FAN COOLED

115 V. - 50/60 Hz. OR

230 V. - 50/60 Hz. AS REQUIRED

DIMENSIONS: INCHES
(MILLIMETERS)

ITEM	PART NUMBER	DESCRIPTION	QTY.
ASSEMBLY LIST			
TOLERANCES: DECIMALS - 10 FRACTIONS JOCKEY .000 (AND 2)			
MATERIAL: THE INFORMATION CONTAINED IN THIS DOCUMENT IS THE PROPERTY OF MICROWAVE DEVICES, INC. AND IS PROPRIETARY. IT IS NOT TO BE COPIED OR USED FOR ANY PURPOSE OTHER THAN AS AUTHORIZED, IN WRITING, BY MICROWAVE DEVICES, INC.			
FINISH		SIGNATURES OR G.V. Cothran 3-27-81	DATE 3-27-81
CHK	APPR	CASE NO. 60674 D	DRAWING NO. 900746-3
APPR	APPR	DRAWING SCALE 1:1	SHEET 1 OF 1

CONTACT MICROWAVE DEVICES - 1180 N. GRAYSON BL. FAYETTEVILLE, KY 40421 (502) 338-8833

DIMENSIONS ARE IN INCHES UNLESS OTHERWISE SPECIFIED.